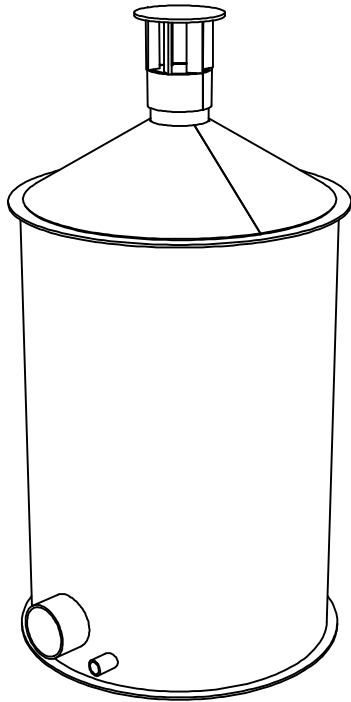
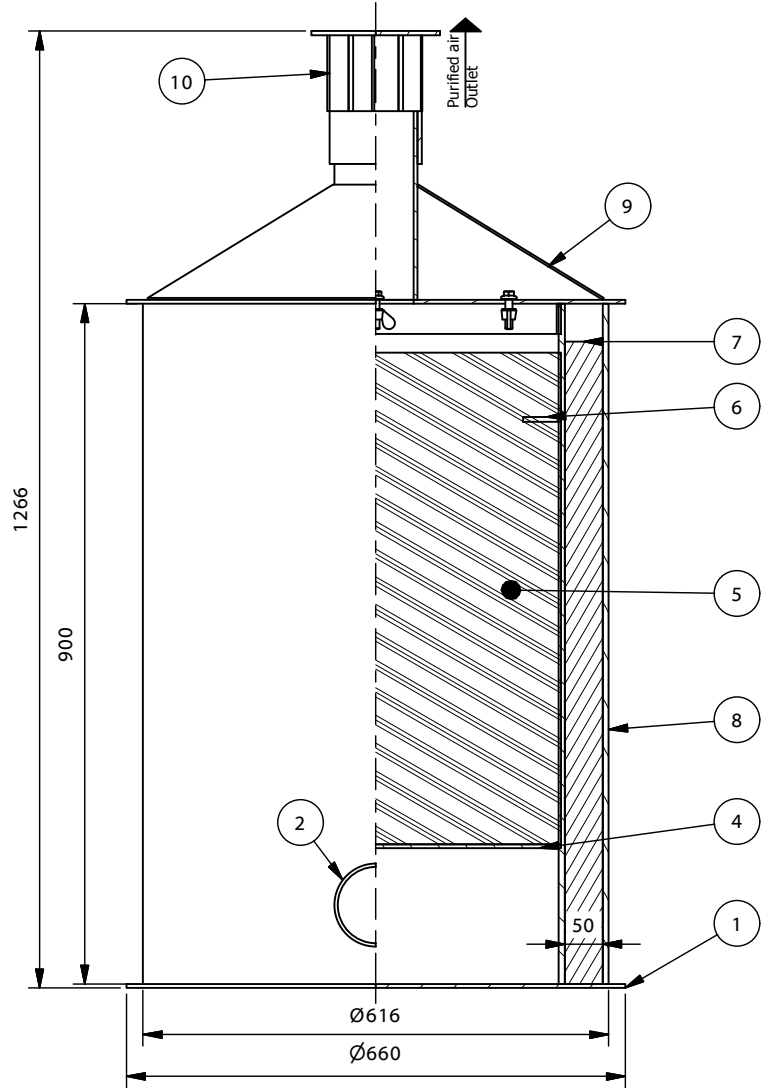


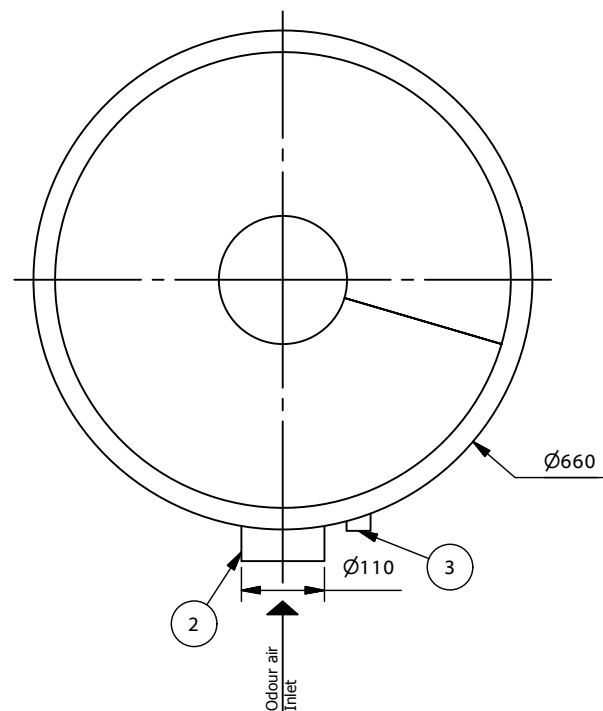
# VENTUS 10



## Half section view ( 1 : 10 )



## Top View ( 1 : 10 )



1. Biofilter base plate
2. Odor air influent
3. Condensate drain
4. Media holder plate
5. Filter media
6. Air guiding plate
7. Insulation (optional)
8. Biofilter surface
9. Cover
10. Purified air effluent



TYP:

www.pureco.ro

**VENTUS 10**  
Info drawing

### VENTUS Odor air treatment system

Capacity:	10	m <sup>3</sup> /h
Efficiency:	95	%
Max element weight:	10	kg
Weight:	75	kg

M= 1:10

This plan PURECO intellectual property. Use, unauthorized copying of this plan shown prohibited.