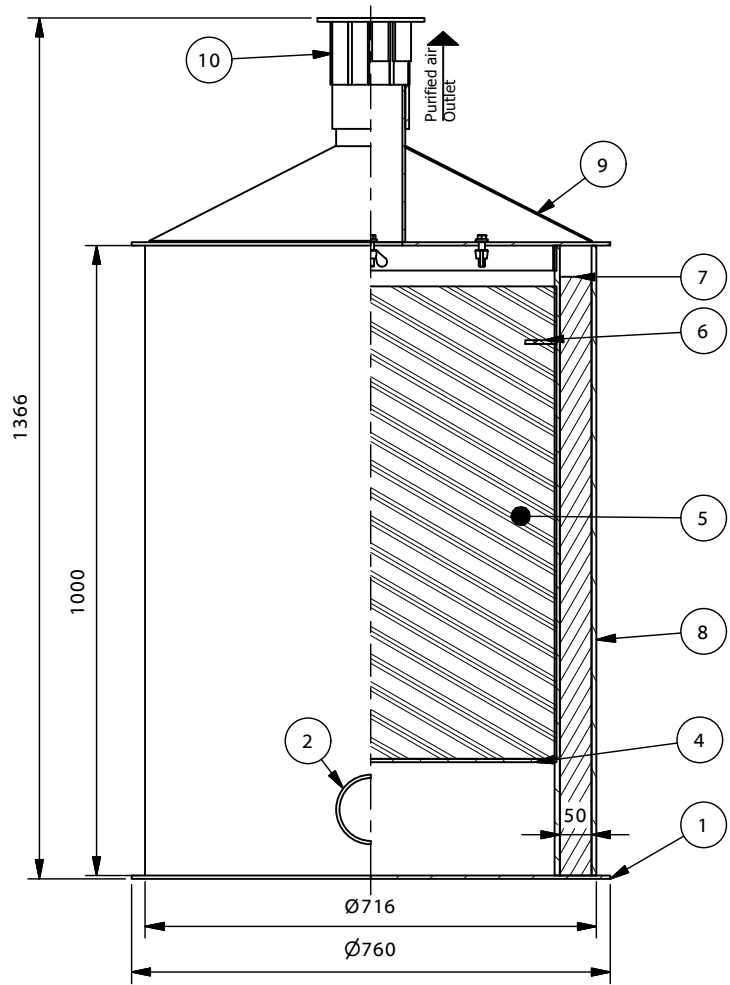
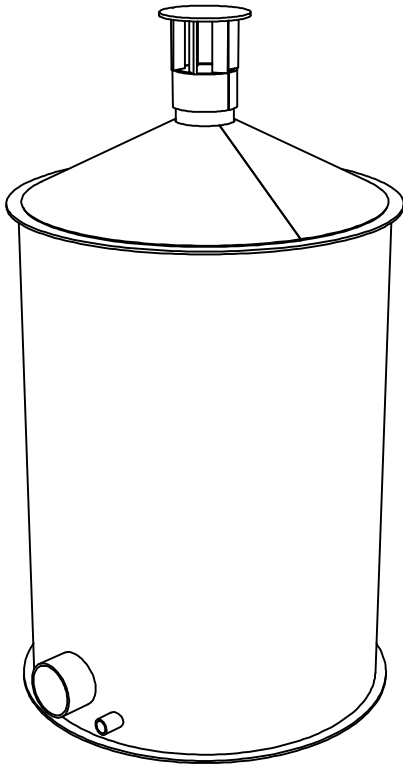


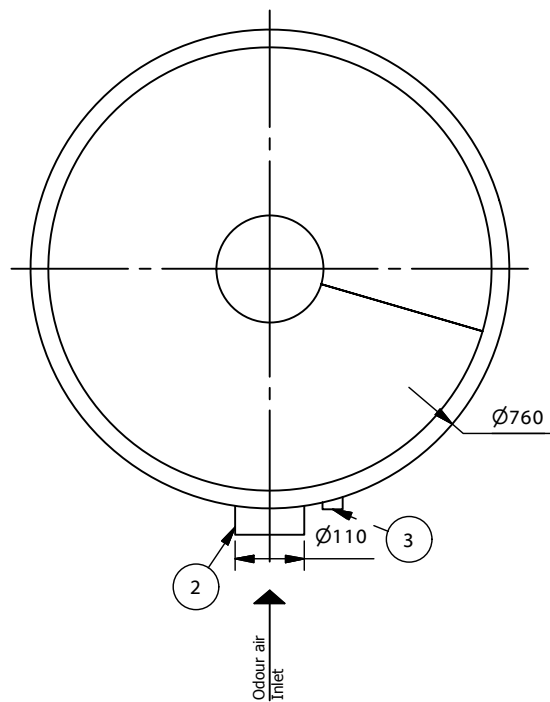
Half section view ( 1 : 12 )



Ventus 20



Top View ( 1 : 12 )



- 1. Biofilter base plate
- 2. Odor air influent
- 3. Condensate drain
- 4. Media holder plate
- 5. Filter media
- 6. Air guiding plate
- 7. Insulation (optional)
- 8. Biofilter surface
- 9. Cover
- 10. Purified air effluent



TYP:

www.pureco.ro

**VENTUS** Odor air treatment system

**VENTUS 20**  
Info drawing

Capacity:	20	m <sup>3</sup> /h
Efficiency:	95	%
Max element weight:	12	kg
Weight:	102	kg

M= 1:12